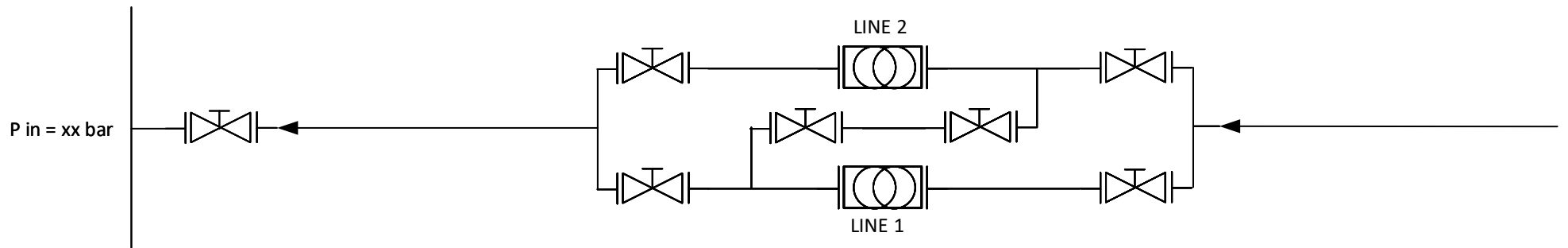


STATION	XXX
NODE	XXX
DATE	XXX
MADE BY	XXX
Based ON	XXX

	LINE 1	LINE 2
Measur-T n°	1	1
PT	x	x
TT	x	x
BF signal	x	x
HF signal	x	x
GVCD signal	x	x
PIN		



Annexe 2: Modèle de Contrat d'Allocation Production de Gaz